

## First Time Installation

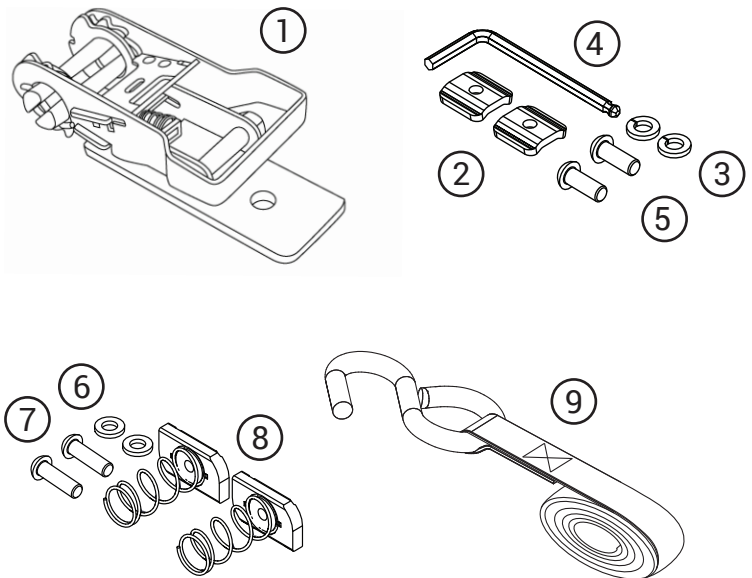
- Please read instructions carefully before installation.
- Check the contents of kit. Contact your Prorack dealer if any parts appear to be missing or damaged.
- Clean your roof racks prior to fitting the Ratchet Grabs.

## Important Warning

- It is critical that all Prorack racks and accessories be properly and securely attached to your vehicle. Improper attachment could result in an automobile accident, and could cause serious bodily injury or death to you or to others.
- You are responsible for securing the racks and accessories to your car, checking the attachments prior to use, and periodically inspecting the products for adjustment, wear, and damage.
- If you do not understand all of the instructions and cautions, or if you have no mechanical experience and are not thoroughly familiar with the installation procedures, you should have the product installed by a professional installer such as a roof rack specialist.

## Kit Contents

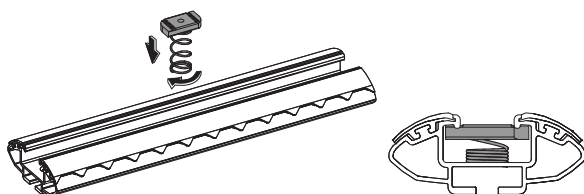
Item	Component	Qty
1	Ratchet Assembly	1
2	M6 Sliding Nut	2
3	M6 Spring Washer	2
4	Ball End Allen Key 4 mm	1
5	M6 Capscrew Button Head 16 mm	2
6	M6 Washer	2
7	M6 Capscrew Button Head 20 mm	2
8	M6 Spring Nut	2
9	Hook And Strap Assembly	1



PR3075

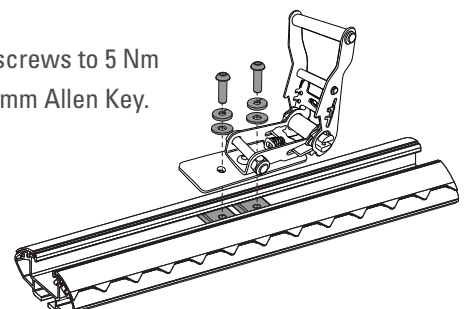
## Installation with Prorack HD, Tradesman and other Heavy Duty Crossbars

- 1** Place 2x M6 Spring Nuts into crossbar channel. Position where you want the accessory to be.
- Push down and twist Spring Nut to lock into place.



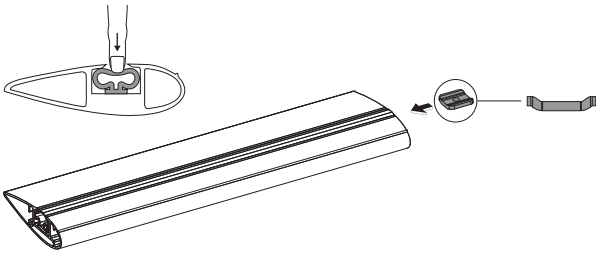
- 2** Fasten Ratchet assembly onto the crossbar using 2x M6 Capscrews 20 mm, 2x M6 Spring Washers, and 2x M6 Flat Washers.

Tighten all screws to 5 Nm using the 4 mm Allen Key.



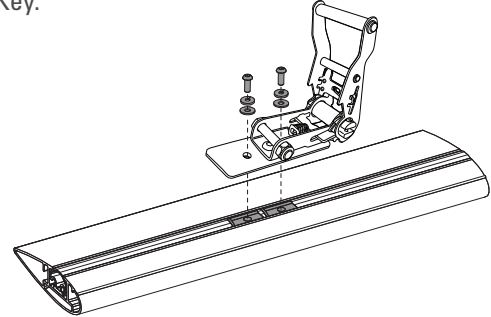
## Installation with Prorack S-wing and international T-slot crossbars

- 1** Push down rubber infill and slide 2x M6 Sliding Nuts into crossbar channel. Position where you want the accessory to be.



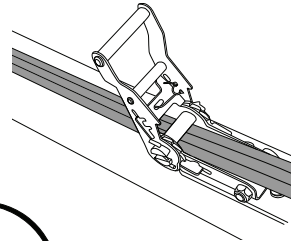
- 2** Fasten Ratchet assembly onto crossbar using 2x M6 Capscrews 16 mm, 2x M6 Spring Washers, and 2x M6 Flat Washers.

Tighten all screws to 5 Nm using the 4 mm Allen Key.

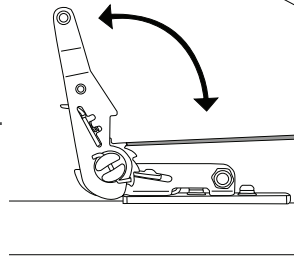


## Using The Strap

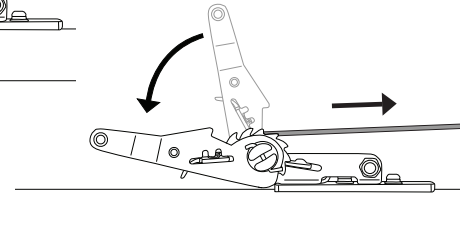
- 1** To attach Strap, thread it through the slot in the Ratchet barrel.



- 2** To wind Strap, work the Ratchet Handle back and forth.



- 3** To release Strap, open Ratchet handle completely and pull Strap.



## Recommendations

- Check accessory is securely attached whenever you refit it to the vehicle. If the unit feels loose, refer to the fitting instructions and readjust.
- Regularly check all fasteners. This includes all attached accessories and roof racks.
- Ensure that all loads are distributed evenly across the roof racks and are fastened securely.

## Caution

- A loaded roof rack system can alter the performance of your vehicle. Be especially aware of the effects of side winds, changing of direction, and braking performance. Avoid rapid acceleration and deceleration. Drive Carefully.
- Make sure all loads are securely fastened with non-elastic straps. Check regularly during longer journeys.
- Never drive into a car wash with a roof rack system or accessories fitted.
- Do not exceed the vehicle manufacturer's roof load rating. Total load equals weight of roof racks + accessories + cargo/ equipment.